

c:\Users\julianarodriguez\building_drops, inc\building_drops, inc\building_drops, inc\bc-25-0439_1 - submittal - odl fiberglass doors component additions\dwg\flush_glazed\odl008.dwg 12/10/2025 4:30 PM

ODL, INC.

INSWING & OUTSWING FLUSH GLAZED FIBERGLASS DOOR (WZ3)(IMPACT)

GENERAL NOTES:

1. THE PRODUCT SHOWN HEREIN IS DESIGNED AND MANUFACTURED TO COMPLY WITH THE CURRENT EDITION OF THE FLORIDA BUILDING CODE (FBC), **EXCLUDING** HVHZ AND HAS BEEN EVALUATED ACCORDING TO THE FOLLOWING:
 - ASTM E1886-19
 - ASTM E1996-20
 - ASTM E330-14
 - ASTM E331-00
 - ASTM E283-04
 - TAS 203-94
2. ADEQUACY OF THE EXISTING STRUCTURAL CONCRETE/MASONRY, 2X FRAMING, AND METAL FRAMING AS A MAIN WIND FORCE RESISTING SYSTEM CAPABLE OF WITHSTANDING AND TRANSFERRING APPLIED PRODUCT LOADS TO THE FOUNDATION IS THE RESPONSIBILITY OF THE ENGINEER OR ARCHITECT OF RECORD FOR THE PROJECT OF INSTALLATION.
3. 1X AND 2X BUCKS (WHEN USED) SHALL BE DESIGNED AND ANCHORED TO PROPERLY TRANSFER ALL LOADS TO THE STRUCTURE. BUCK DESIGN AND INSTALLATION IS THE RESPONSIBILITY OF THE ENGINEER OR ARCHITECT OF RECORD FOR THE PROJECT OF INSTALLATION.
4. INSTALL INDIVIDUAL INSTALLATION ANCHORS WITHIN A TOLERANCE OF ±1/4 INCH OF THE DEPICTED LOCATION IN THE ANCHOR LAYOUT DETAIL (I.E., WITHOUT CONSIDERATION OF TOLERANCES). TOLERANCES ARE NOT CUMULATIVE FROM ONE INSTALLATION ANCHOR TO THE NEXT.
5. THE INSTALLATION DETAILS DESCRIBED HEREIN ARE GENERIC AND MAY NOT REFLECT ACTUAL CONDITIONS FOR A SPECIFIC SITE. IF SITE CONDITIONS CAUSE INSTALLATION TO DEVIATE FROM THE REQUIREMENTS DETAILED HEREIN, A LICENSED ENGINEER OR ARCHITECT SHALL PREPARE SITE SPECIFIC DOCUMENTS FOR USE WITH THIS DOCUMENT.
6. APPROVED IMPACT PROTECTIVE SYSTEM **IS NOT REQUIRED** ON THIS PRODUCT IN AREAS REQUIRING IMPACT RESISTANCE IN WIND ZONE 3 OR LESS.
7. APPROVED IMPACT PROTECTIVE SYSTEM **IS REQUIRED** ON THIS PRODUCT IN AREAS REQUIRING IMPACT RESISTANCE IN WIND ZONE 4.
8. DOOR SKIN MATERIAL: FIBERGLASS
9. GLASS MEETS THE REQUIREMENTS OF ASTM E1300 GLASS CHARTS. SEE SHEET 3 FOR GLAZING DETAILS.

TABLE OF CONTENTS	
SHEET	SHEET DESCRIPTION
1	GENERAL NOTES
2	PRODUCT SPECIFICATIONS TABLE
3	GLAZING DETAILS
4	OXXO ELEVATION
5	OXO ELEVATION
6	X & XX ELEVATIONS
7	ANCHOR LAYOUTS
8	ANCHOR LAYOUTS
9	VERTICAL SECTIONS
10	VERTICAL SECTIONS
11	VERTICAL SECTIONS
12	VERTICAL SECTIONS
13	HORIZONTAL SECTIONS
14	HORIZONTAL SECTIONS
15	HORIZONTAL SECTIONS
16	HORIZONTAL SECTIONS
17	HORIZONTAL SECTIONS
18	HORIZONTAL SECTIONS
19	ANCHOR DETAILS, ANCHOR SCHEDULE, & INSTALLATION NOTES
20	ANCHOR DETAILS
21	ANCHOR DETAILS
22	ANCHOR DETAILS
23	BILL OF MATERIALS & COMPONENTS
24	COMPONENTS

215 EAST ROOSEVELT AVE.
ZEELAND, MICHIGAN 49464
PH: (800) 253-3900

TITLE: INSWING & OUTSWING FLUSH GLAZED FIBERGLASS DOOR (WZ3) (IMPACT)

GENERAL NOTES

PREPARED BY: BUILDING DROPS, INC.
1900 NE MIAMI CT. SUITE 2-15
MIAMI, FL 33132
PH: (954) 399-8478
FAX: (954) 744-4738
WEB: www.buildingdrops.com

REMARKS	BY	DATE

THE INSTALLATION DETAILS DESCRIBED HEREIN ARE GENERIC AND MAY NOT REFLECT ACTUAL CONDITIONS FOR A SPECIFIC SITE. IF SITE CONDITIONS CAUSE INSTALLATION TO DEVIATE FROM THE REQUIREMENTS DETAILED HEREIN, A LICENSED ENGINEER OR ARCHITECT SHALL PREPARE SITE SPECIFIC DOCUMENTS FOR USE WITH THIS DOCUMENT.

HERMES F. NORERO, R.
LICENSED PROFESSIONAL ENGINEER
BUILDING DROPS, INC.
1900 NE MIAMI CT. SUITE 2-15
MIAMI, FL 33132
FBPE CERT. OF AUTHORIZATION No. 29578

FL #: **FL47925**

DATE: **12.02.2025**

DWG. BY: JR	CHK. BY: HFN
--------------------	---------------------

SCALE: **NTS**

DWG. #: **ODL008**

SHEET: **1** OF 24

c:\users\julianarodriguez\building_drops, inc\building_drops_projects\odl, inc\bc-25-0439_1 - submittal - odl_fiberglass doors component_additions\dwg\flush_glazed\odl008.dwg 12/10/2025 4:30 PM

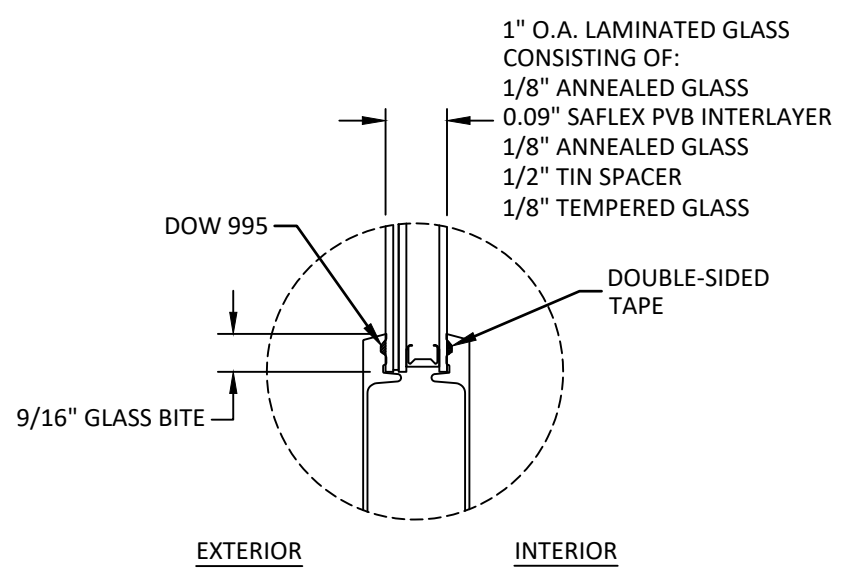


215 EAST ROOSEVELT AVE.
ZEELAND, MICHIGAN 49464

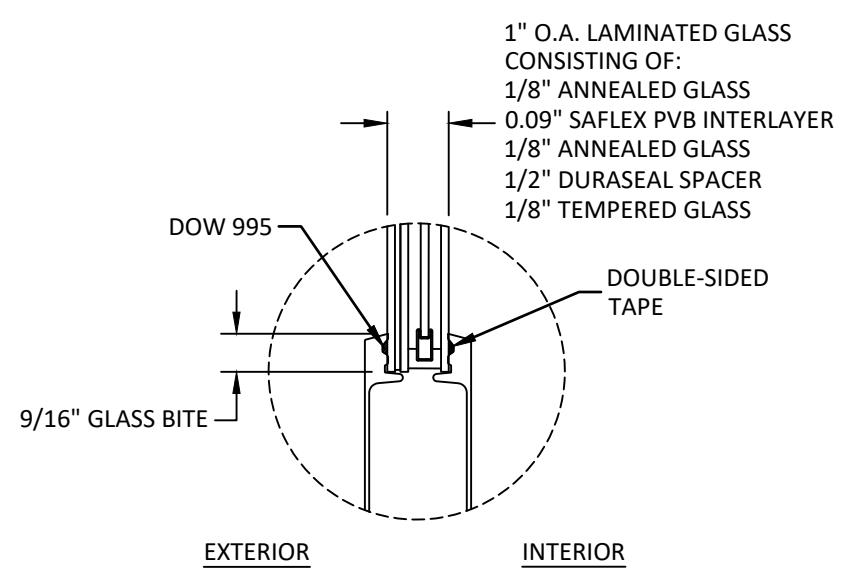
PH: (800) 253-3900

TITLE: INSWING & OUTSWING FLUSH GLAZED FIBERGLASS DOOR (WZ3) (IMPACT)
GLAZING DETAILS

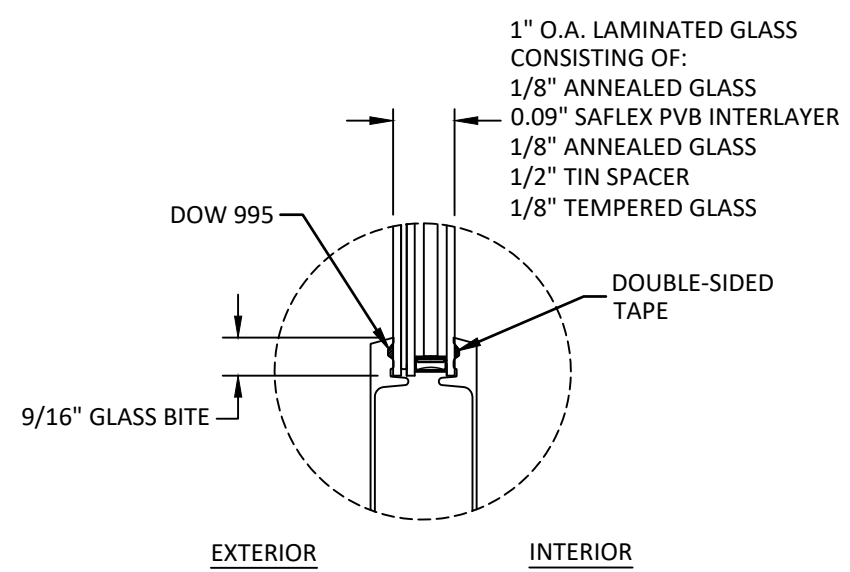
PREPARED BY: BUILDING DROPS, INC.
1900 NE MIAMI CT, SUITE 2-15
MIAMI, FL 33132
PH: (954) 399-8478
FAX: (954) 744-4738
WEB: www.buildingdrops.com



GLAZING DETAIL 1
INTERCEPT SPACER



GLAZING DETAIL 2
DECORATIVE

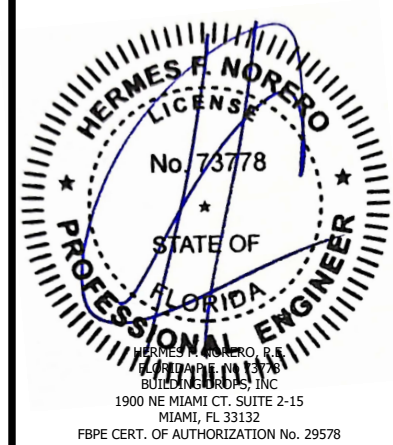


GLAZING DETAIL 3
GRIDS BETWEEN GLASS

- GLAZING NOTES:
1. GLASS TYPE COMPLIES WITH ASTM E1300 REQUIREMENTS. PER THE FBC TEMPER AND SAFETY GLAZING REQUIREMENTS SHALL BE REVIEWED ON A SITE SPECIFIC BASIS.
 2. SETTING BLOCK DUROMETER HARDNESS OF 70-90 (SHORE A) AS REFERENCED IN FBC CHAPTER 24.
 3. SETTING BLOCKS TO BE LOCATED AT 1/4 SPAN LENGTH FOR GLASS WIDER THAN 36" AS PER FBC CHAPTER 24.
 4. D.L.O. AND DESIGN PRESSURES MAY NOT EXCEED MAX VALUES SHOWN HEREIN.

REMARKS	BY	DATE

THE INSTALLATION DETAILS DESCRIBED HEREIN ARE GENERIC AND MAY NOT REFLECT ACTUAL CONDITIONS FOR A SPECIFIC SITE. IF SITE CONDITIONS CAUSE INSTALLATION TO DEVIATE FROM THE REQUIREMENTS DETAILED HEREIN, A LICENSED ENGINEER OR ARCHITECT SHALL PREPARE SITE SPECIFIC DOCUMENTS FOR USE WITH THIS DOCUMENT.



FL #: **FL47925**

DATE: **12.02.2025**

DWG. BY: **JR** CHK. BY: **HFN**

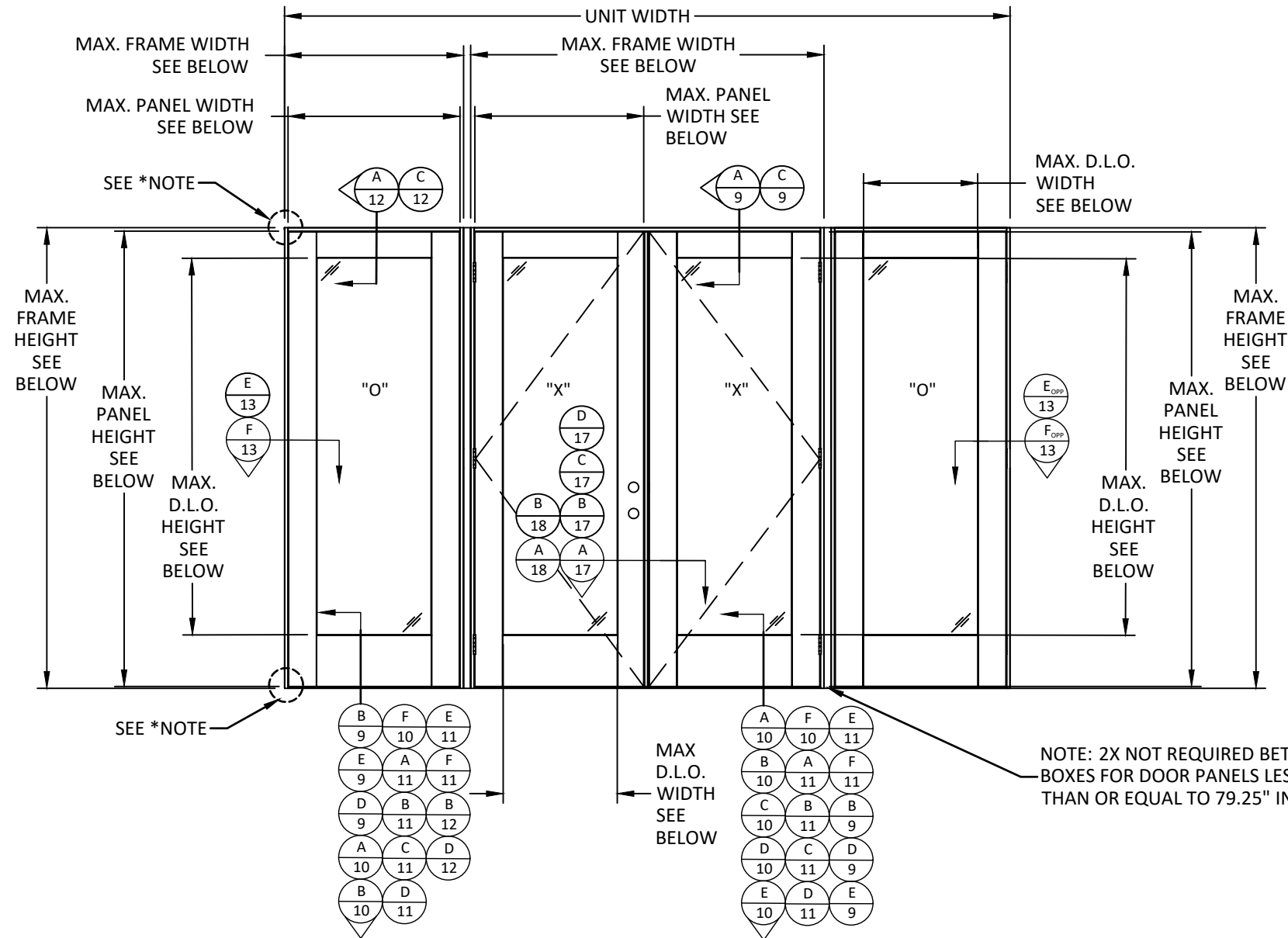
SCALE: **NTS**

DWG. #: **ODL008**

SHEET: **3** OF 24

12/10/2025 4:30 PM
c:\users\julianarodriguez\building_drops, inc\building_drops_projects\odl, inc\bc-25-0439_1 - submittal - odl_fiberglass doors component_additions\dwgs\flush_glazed\odl008.dwg

ELEVATION OXO CONFIGURATION



NOTE: BOXED CONSTRUCTION SHOWN, CONTINUOUS CONSTRUCTION QUALIFIED. SEE SHEETS 14-16 FOR HORIZONTAL SECTION DETAILS FOR CONTINUOUS CONSTRUCTION.

*NOTE: OPTION TO ATTACH FRAME CORNERS WITH 7/16" X 2" 16 GAGE STAPLES WITH (4) PER CORNER ON THE HEAD AND (2) PER CORNER ON THE SILL. ANOTHER OPTION IS TO FASTEN EACH CORNER WITH #9 X 2-1/2" PHILLIPS HEAD SCREWS WITH (3) PER CORNER ON THE HEAD FOR ALL SILLS. FOR ENDURA AND DLP ADA SILLS, (3) SCREWS PER CORNER ON THE SILL. ALL OTHER SILLS CAN HAVE (2) SCREWS PER CORNER.



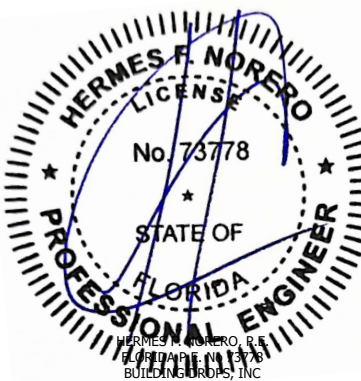
215 EAST ROOSEVELT AVE.
ZEELAND, MICHIGAN 49464
PH: (800) 253-3900

TITLE: INSWING & OUTSWING FLUSH GLAZED FIBERGLASS DOOR (WZ3) (IMPACT)
OXO ELEVATION

PREPARED BY: BUILDING DROPS, INC.
1900 NE MIAMI CT. SUITE 2-15
MIAMI, FL 33132
PH: (954) 399-8478
FAX: (954) 744-4738
WEB: www.buildingdrops.com

REMARKS	BY	DATE

THE INSTALLATION DETAILS DESCRIBED HEREIN ARE GENERIC AND MAY NOT REFLECT ACTUAL CONDITIONS FOR A SPECIFIC SITE. IF SITE CONDITIONS CAUSE INSTALLATION TO DEVIATE FROM THE REQUIREMENTS DETAILED HEREIN, A LICENSED ENGINEER OR ARCHITECT SHALL PREPARE SITE SPECIFIC DOCUMENTS FOR USE WITH THIS DOCUMENT.



HERMES F. NORERO
LICENSE
No. 73778
STATE OF
FLORIDA
PROFESSIONAL ENGINEER

HERMES F. NORERO, R.
ENGINEER
BUILDING DROPS, INC.
1900 NE MIAMI CT. SUITE 2-15
MIAMI, FL 33132
FBPE CERT. OF AUTHORIZATION No. 29578

FL #: **FL47925**

DATE: **12.02.2025**

DWG. BY: **JR** CHK. BY: **HFN**

SCALE: **NTS**

DWG. #: **ODL008**

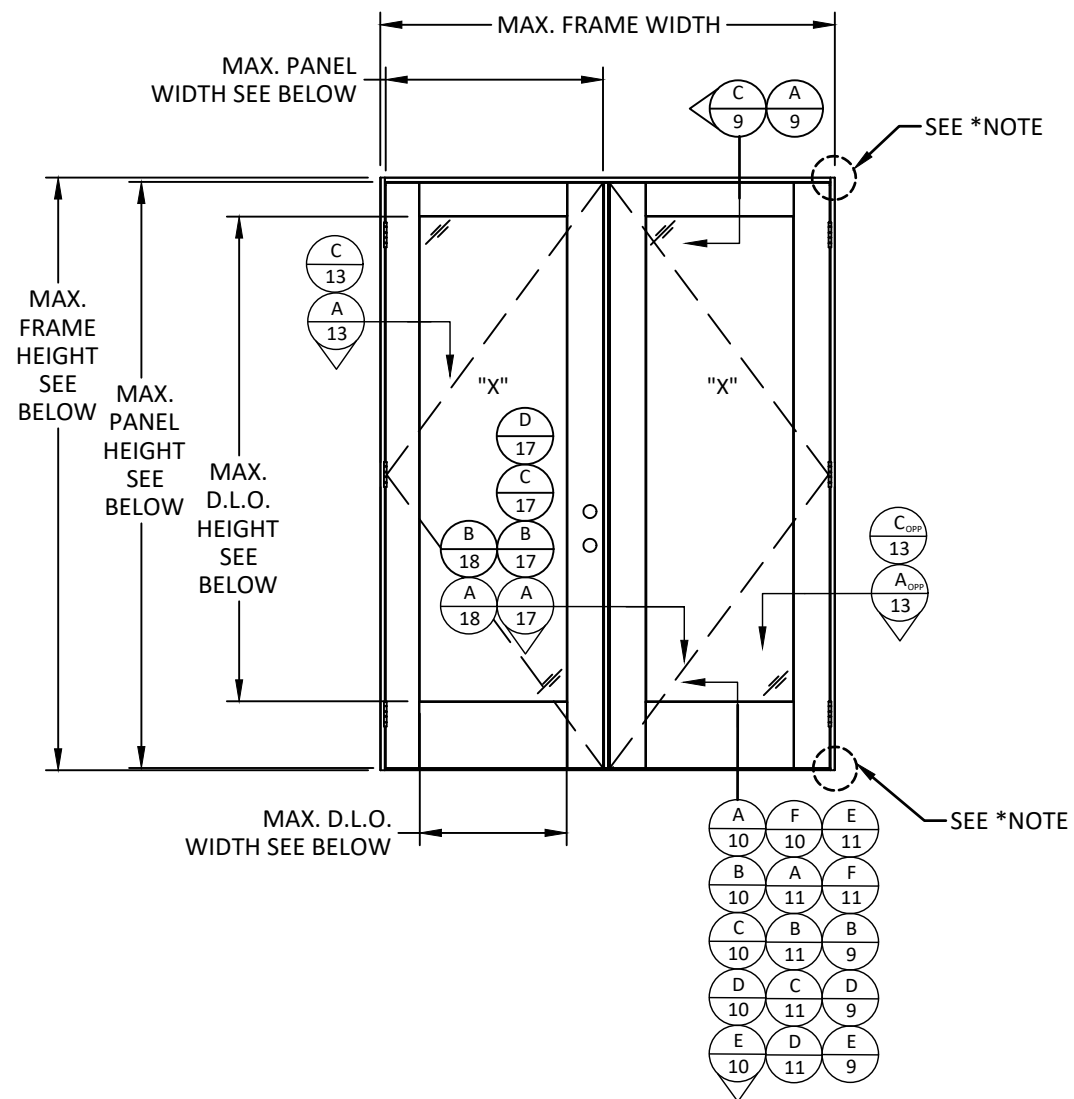
SHEET: **4** OF 24

SIDELITE: PRODUCT DIMENSIONS TABLE						
PRODUCT	MAX. SIDELITE FRAME WIDTH (IN)	MAX. SIDELITE FRAME HEIGHT (IN)	MAX. SIDELITE PANEL WIDTH (IN)	MAX. SIDELITE PANEL HEIGHT (IN)	MAX. SIDELITE D.L.O. WIDTH (IN)	MAX. SIDELITE D.L.O. HEIGHT (IN)
6'8" FLUSH GLAZED	37.50	82.00	35.75	79.25	23.90	62.90
8'0" FLUSH GLAZED	37.50	98.00	35.75	95.25	23.90	78.90

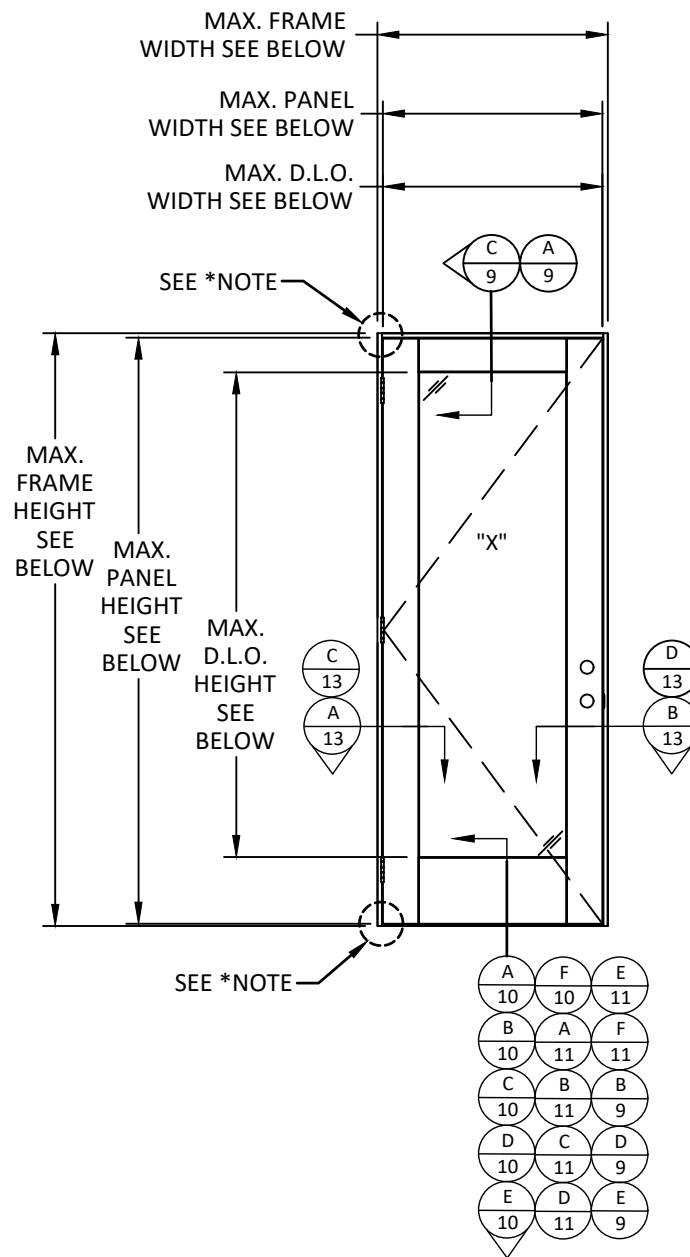
DOOR: PRODUCT DIMENSIONS TABLE						
PRODUCT	MAX. DOOR FRAME WIDTH (IN)	MAX. DOOR FRAME HEIGHT (IN)	MAX. DOOR PANEL WIDTH (IN)	MAX. DOOR PANEL HEIGHT (IN)	MAX. DOOR D.L.O. WIDTH (IN)	MAX. DOOR D.L.O. HEIGHT (IN)
6'8" FLUSH GLAZED	74.50	82.00	35.75	79.25	23.90	62.90
8'0" FLUSH GLAZED	74.50	98.00	35.75	95.25	23.90	78.90

c:\users\julianarodriguez\building_drops, inc\building_drops\building_drops, inc\documents\common\projects\odi, inc\bc-25-0439_1 - submittal - odi_fiberglass doors component additions\dwgs\flush_glazed\odi008.dwg 12/10/2025 4:31 PM

ELEVATION XX CONFIGURATION



ELEVATION X CONFIGURATION



*NOTE: OPTION TO ATTACH FRAME CORNERS WITH 7/16" X 2" 16 GAGE STAPLES WITH (4) PER CORNER ON THE HEAD AND (2) PER CORNER ON THE SILL. ANOTHER OPTION IS TO FASTEN EACH CORNER WITH #9 X 2-1/2" PHILLIPS HEAD SCREWS WITH (3) PER CORNER ON THE HEAD FOR ALL SILLS. FOR ENDURA AND DLP ADA SILLS, (3) SCREWS PER CORNER ON THE SILL. ALL OTHER SILLS CAN HAVE (2) SCREWS PER CORNER.

DOOR: PRODUCT DIMENSIONS TABLE						
PRODUCT	MAX. DOOR FRAME WIDTH (IN)	MAX. DOOR FRAME HEIGHT (IN)	MAX. DOOR PANEL WIDTH (IN)	MAX. DOOR PANEL HEIGHT (IN)	MAX. DOOR D.L.O. WIDTH (IN)	MAX. DOOR D.L.O. HEIGHT (IN)
6'8" FLUSH GLAZED	74.50	82.00	35.75	79.25	23.90	62.90
8'0" FLUSH GLAZED	74.50	98.00	35.75	95.25	23.90	78.90

215 EAST ROOSEVELT AVE.
ZEELAND, MICHIGAN 49464
PH: (800) 253-3900

TITLE: INSWING & OUTSWING FLUSH GLAZED FIBERGLASS DOOR (WZ3) (IMPACT)
X & XX ELEVATIONS

PREPARED BY: BUILDING DROPS, INC.
1900 NE MIAMI CT, SUITE 2-15
MIAMI, FL 33132
PH: (954) 399-8478
FAX: (954) 744-4738
WEB: www.buildingdrops.com

REMARKS	BY	DATE

THE INSTALLATION DETAILS DESCRIBED HEREIN ARE GENERIC AND MAY NOT REFLECT ACTUAL CONDITIONS FOR A SPECIFIC SITE. IF SITE CONDITIONS CAUSE INSTALLATION TO DEVIATE FROM THE REQUIREMENTS DETAILED HEREIN, A LICENSED ENGINEER OR ARCHITECT SHALL PREPARE SITE SPECIFIC DOCUMENTS FOR USE WITH THIS DOCUMENT.

HERMES F. NORERO
LICENSE
No. 73778
STATE OF FLORIDA
PROFESSIONAL ENGINEER

HERMES F. NORERO, R.
ENGINEER
BUILDING DROPS, INC.
1900 NE MIAMI CT, SUITE 2-15
MIAMI, FL 33132
FBPE CERT. OF AUTHORIZATION No. 29578

FL #: **FL47925**

DATE: **12.02.2025**

DWG. BY: **JR** CHK. BY: **HFN**

SCALE: **NTS**

DWG. #: **ODL008**

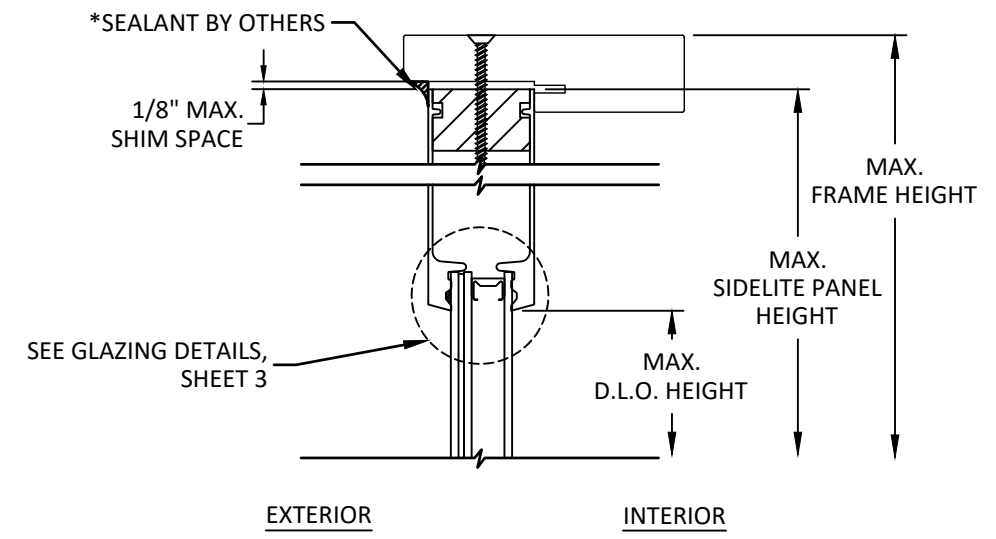
SHEET: **6** OF 24

c:\users\julianarodriguez\building_drops, inc\building_drops_building_drops, inc\bc-25-0439.1 - submittal - odt fiberglass doors component additions\dwgs\flush_glazed\odl008.dwg 12/10/2025 4:30 PM

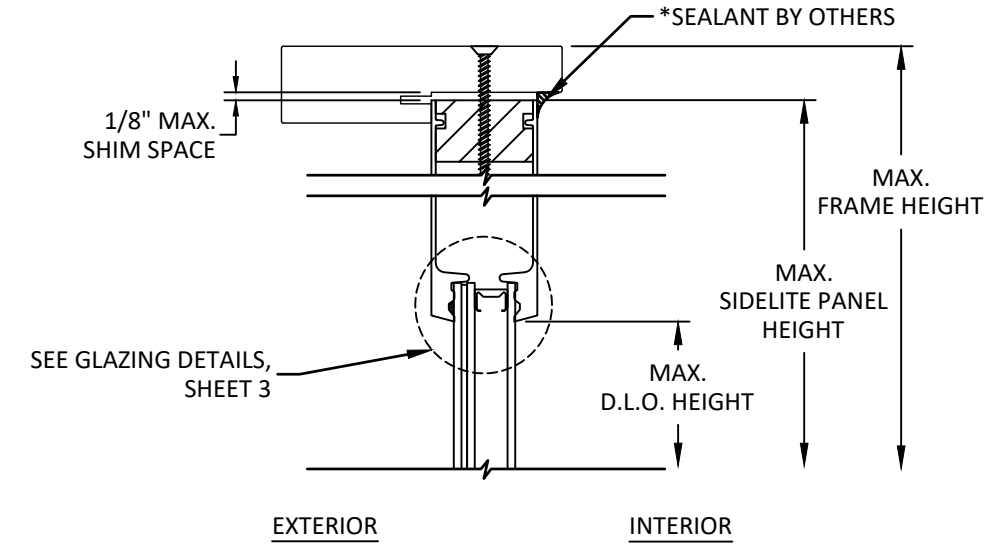


215 EAST ROOSEVELT AVE.
ZEELAND, MICHIGAN 49464

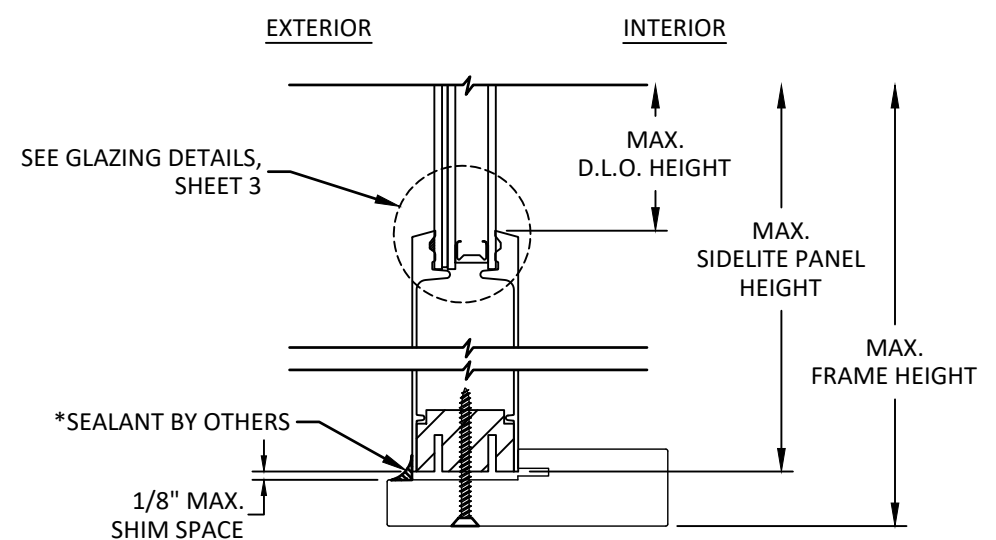
PH: (800) 253-3900



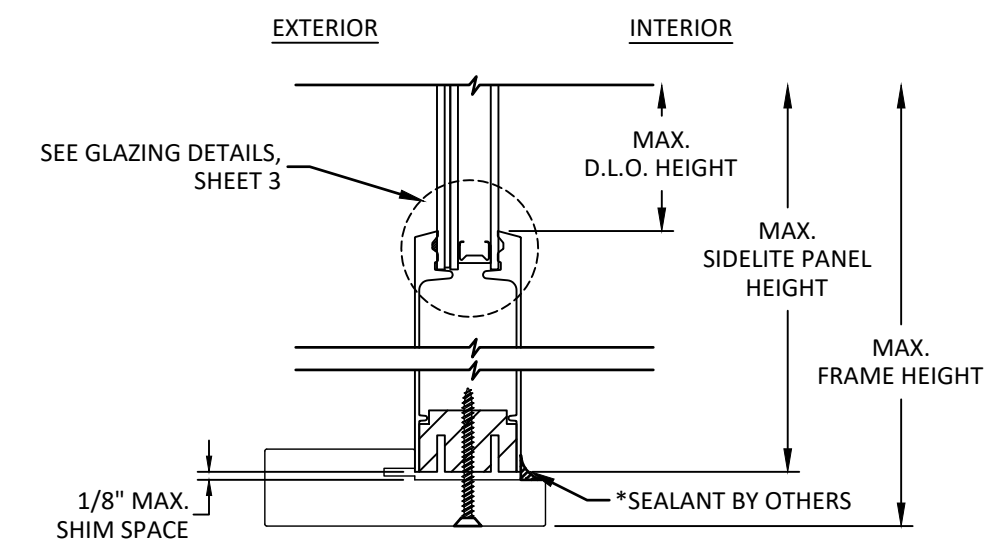
A
12 VERTICAL SECTION
OUTSWING - SIDELITE HEAD



C
12 VERTICAL SECTION
INSWING - SIDELITE HEAD



B
12 VERTICAL SECTION
OUTSWING - SIDELITE SILL



D
12 VERTICAL SECTION
INSWING - SIDELITE SILL

TITLE:
INSWING & OUTSWING FLUSH
GLAZED FIBERGLASS DOOR (WZ3)
(IMPACT)

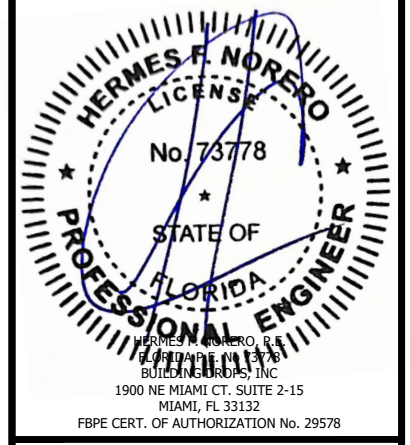
VERTICAL SECTIONS

PREPARED BY:
BUILDING DROPS, INC.
1900 NE MIAMI CT. SUITE 2-15
MIAMI, FL 33132
PH: (954) 399-8478
FAX: (954) 744-4738
WEB: www.buildingdrops.com



REMARKS	BY	DATE

THE INSTALLATION DETAILS DESCRIBED HEREIN ARE GENERIC AND MAY NOT REFLECT ACTUAL CONDITIONS FOR A SPECIFIC SITE. IF SITE CONDITIONS CAUSE INSTALLATION TO DEVIATE FROM THE REQUIREMENTS DETAILED HEREIN, A LICENSED ENGINEER OR ARCHITECT SHALL PREPARE SITE SPECIFIC DOCUMENTS FOR USE WITH THIS DOCUMENT.



FL #: **FL47925**

DATE: **12.02.2025**

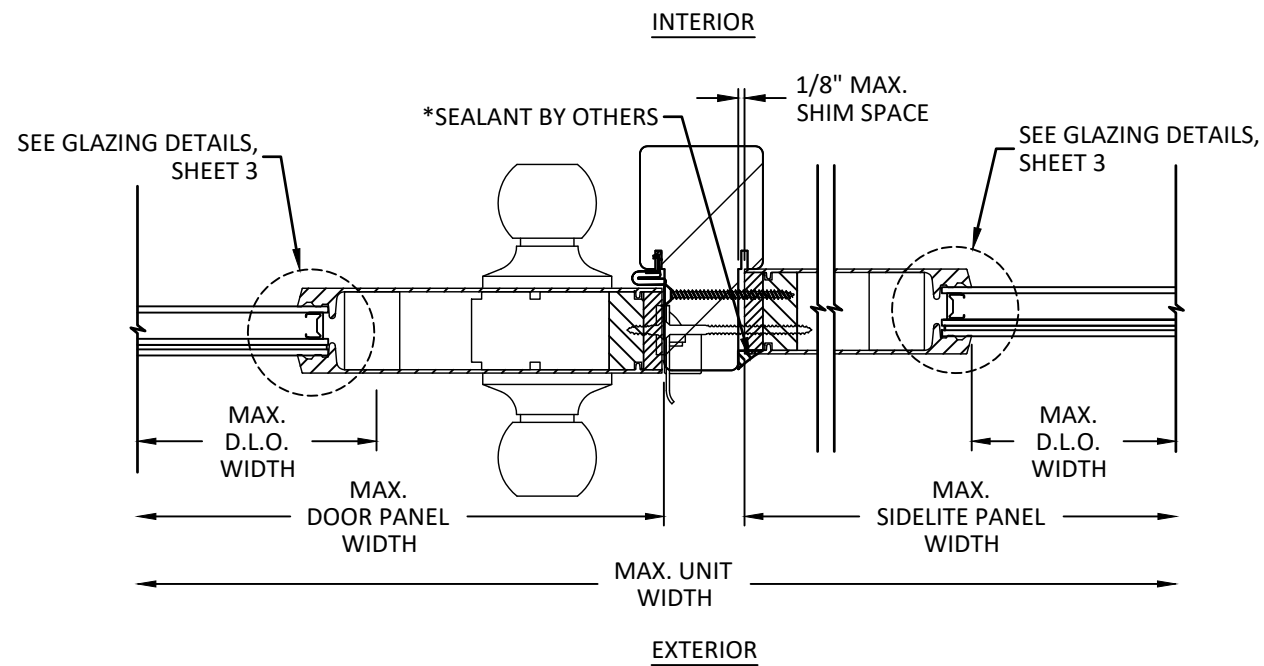
DWG. BY: **JR** CHK. BY: **HFN**

SCALE: **NTS**

DWG. #: **ODL008**

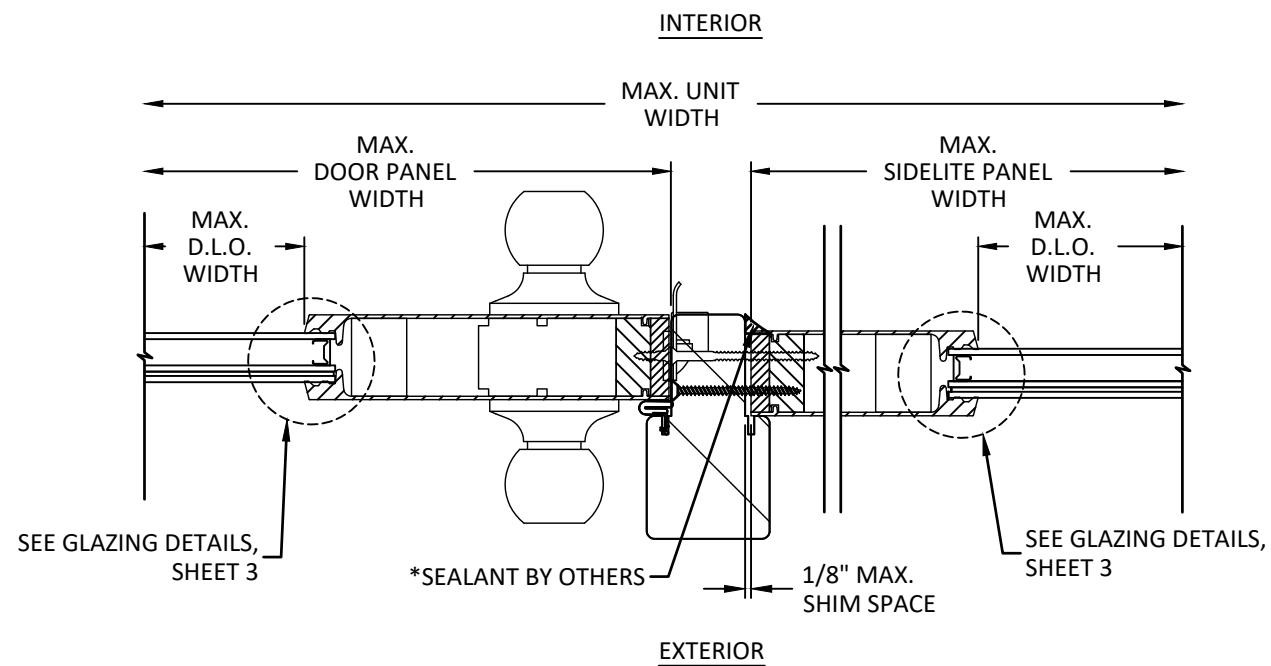
SHEET:
12
OF 24

c:\users\julianarodriguez\building_drops, inc\building_drops_projects\odl, inc\bc-25-0439_1 - submittal - odl fiberglass doors component additions\dwgs\flush_glazed\odl008.dwg 12/10/2025 4:30 PM



A HORIZONTAL SECTION
16

OUTSWING - ENDURA FRAME
SAVER MULLION
CONTINUOUS CONSTRUCTION
RATED TO A MAX. DP OF +/- 32.7 PSF



B HORIZONTAL SECTION
16


INSWING - ENDURA FRAME
SAVER MULLION
RATED TO A MAX. DP OF +/- 32.7 PSF
CONTINUOUS CONSTRUCTION



215 EAST ROOSEVELT AVE.
ZEELAND, MICHIGAN 49464
PH: (800) 253-3900

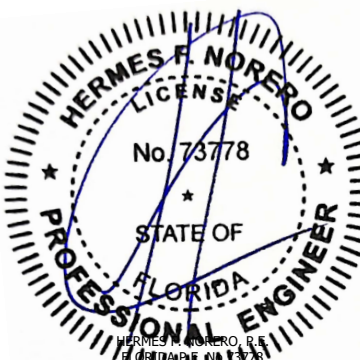
TITLE: INSWING & OUTSWING FLUSH GLAZED FIBERGLASS DOOR (WZ3) (IMPACT)
HORIZONTAL SECTIONS

PREPARED BY: BUILDING DROPS, INC.
1900 NE MIAMI CT. SUITE 2-15
MIAMI, FL 33132
PH: (954) 399-8478
FAX: (954) 744-4738
WEB: www.buildingdrops.com



REMARKS	BY	DATE

THE INSTALLATION DETAILS DESCRIBED HEREIN ARE GENERIC AND MAY NOT REFLECT ACTUAL CONDITIONS FOR A SPECIFIC SITE. IF SITE CONDITIONS CAUSE INSTALLATION TO DEVIATE FROM THE REQUIREMENTS DETAILED HEREIN, A LICENSED ENGINEER OR ARCHITECT SHALL PREPARE SITE SPECIFIC DOCUMENTS FOR USE WITH THIS DOCUMENT.



HERMES F. NORERO
LICENSE
No. 73778
STATE OF FLORIDA
PROFESSIONAL ENGINEER
HERMES F. NORERO, R.
REGISTERED PROFESSIONAL ENGINEER
BUILDING DROPS, INC.
1900 NE MIAMI CT. SUITE 2-15
MIAMI, FL 33132
FBPE CERT. OF AUTHORIZATION No. 29578

FL #: **FL47925**

DATE: **12.02.2025**

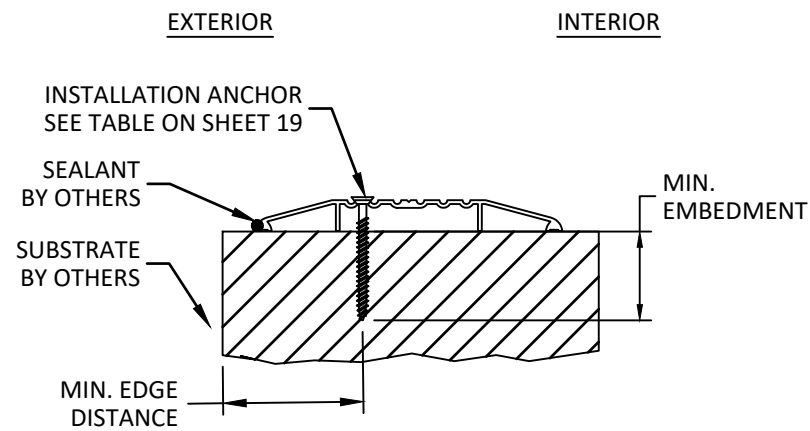
DWG. BY: **JR** CHK. BY: **HFN**

SCALE: **NTS**

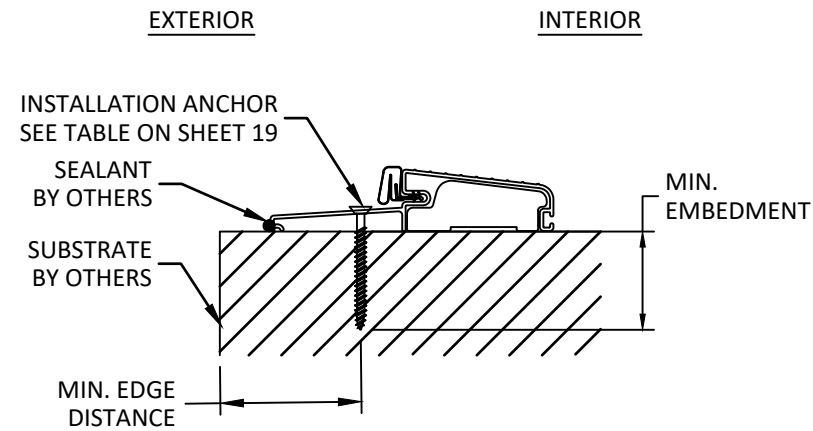
DWG. #: **ODL008**

SHEET: **16**
OF 24

c:\users\julianarodriguez\building_drops, inc\building_drops, inc\documents\common\projects\odi, inc\bc-25-0439_1 - submittal - odi fiberglass doors component additions\dwg\flush_glazed\odi008.dwg 12/10/2025 4:31 PM



A
19
ANCHOR DETAIL
DLP ADA ISHC SILL



B
19
ANCHOR DETAIL
ENDURA FOB4565 SILL

INSTALLATION NOTES:

- ONE (1) INSTALLATION ANCHOR IS REQUIRED AT EACH ANCHOR LOCATION SHOWN FOR THROUGH FRAME INSTALLATION.
- THE NUMBER OF INSTALLATION ANCHORS DEPICTED IS THE MINIMUM NUMBER OF ANCHORS TO BE USED FOR PRODUCT INSTALLATION OF THE MAXIMUM SIZE LISTED.
- INSTALL INDIVIDUAL INSTALLATION ANCHORS WITHIN A TOLERANCE OF $\pm 1/4$ INCH THE DEPICTED LOCATION & SPACING IN THE ANCHOR LAYOUT DETAILS (I.E., WITHOUT CONSIDERATION OF TOLERANCES). TOLERANCES ARE NOT CUMULATIVE FROM ONE INSTALLATION ANCHOR TO THE NEXT.
- SHIM AS REQUIRED AT EACH INSTALLATION ANCHOR WITH LOAD BEARING SHIM(S). MAXIMUM ALLOWABLE SHIM STACK TO BE 1/4 INCH. SHIM WHERE SPACE OF 1/16 INCH OR GREATER OCCURS. SHIM(S) SHALL BE CONSTRUCTED OF HIGH DENSITY PLASTIC OR BETTER.
- FOR MASONRY OR CONCRETE OPENINGS, A 1X WOOD BUCK MAY BE USED (OPTIONAL) AS LONG AS THE MINIMUM EMBEDMENT AND EDGE DISTANCE REQUIREMENTS ARE STILL MET WITHIN THE CORRESPONDING HOST SUBSTRATE. SEE GENERAL NOTE #3 ON SHEET 1 FOR MORE INFORMATION.
- MINIMUM EMBEDMENT AND EDGE DISTANCE EXCLUDE WALL FINISHES, INCLUDING BUT NOT LIMITED TO STUCCO, FOAM, BRICK VENEER, AND SIDING.
- INSTALLATION ANCHORS AND ASSOCIATED HARDWARE MUST BE MADE OF CORROSION RESISTANT MATERIAL OR HAVE A CORROSION RESISTANT COATING.
- FOR HOLLOW BLOCK AND GROUT FILLED BLOCK, DO NOT INSTALL INSTALLATION ANCHORS INTO MORTAR JOINTS. EDGE DISTANCE IS MEASURED FROM FREE EDGE OF BLOCK OR EDGE OF MORTAR JOINT INTO FACE SHELL OF BLOCK.
- INSTALLATION ANCHORS SHALL BE INSTALLED IN ACCORDANCE WITH ANCHOR MANUFACTURER'S INSTALLATION INSTRUCTIONS, AND ANCHORS SHALL NOT BE USED IN SUBSTRATES WITH STRENGTHS LESS THAN THE MINIMUM STRENGTH SPECIFIED BY THE ANCHOR MANUFACTURER.

ANCHOR SCHEDULE				
METHOD	SUBSTRATE	ANCHOR TYPE	MIN. EMBEDMENT	MIN. EDGE DISTANCE
THROUGH FRAME	WOOD: MIN. S.G. = 0.55	#10 WOOD SCREW	1.50"	0.75"
	CONCRETE (MIN. f'c = 3000 PSI) OR CMU (PER ASTM C90)	3/16" ITW TAPCON	1.00"	2.50"
	STEEL MIN. 18 GA. (MIN. Fy = 36 KSI) ALUM. MIN. 1/8" THK. (MIN. 6063-T5)	#12 SELF-TAPPING OR SELF-DRILLING SCREW	3 THREADS MIN PENETRATION BEYOND METAL	0.50"



215 EAST ROOSEVELT AVE.
ZEELAND, MICHIGAN 49464

PH: (800) 253-3900

TITLE: INSWING & OUTSWING FLUSH GLAZED FIBERGLASS DOOR (WZ3) (IMPACT)

ANCHOR DETAILS, ANCHOR SCHEDULE, & INSTALLATION NOTES

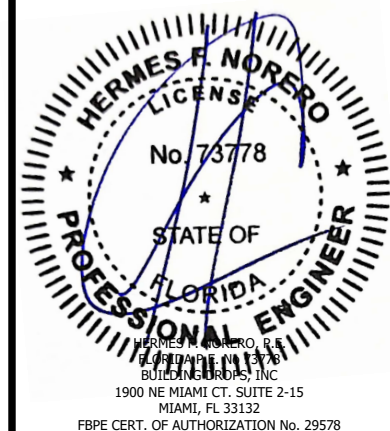
PREPARED BY: BUILDING DROPS, INC.

1900 NE MIAMI CT. SUITE 2-15
MIAMI, FL 33132
PH: (954) 399-8478
FAX: (954) 744-4738
WEB: www.buildingdrops.com



REMARKS	BY	DATE

THE INSTALLATION DETAILS DESCRIBED HEREIN ARE GENERIC AND MAY NOT REFLECT ACTUAL CONDITIONS FOR A SPECIFIC SITE. IF SITE CONDITIONS CAUSE INSTALLATION TO DEVIATE FROM THE REQUIREMENTS DETAILED HEREIN, A LICENSED ENGINEER OR ARCHITECT SHALL PREPARE SITE SPECIFIC DOCUMENTS FOR USE WITH THIS DOCUMENT.



FL #: **FL47925**

DATE: **12.02.2025**

DWG. BY: **JR** CHK. BY: **HFN**

SCALE: **NTS**

DWG. #: **ODL008**

SHEET: **19**

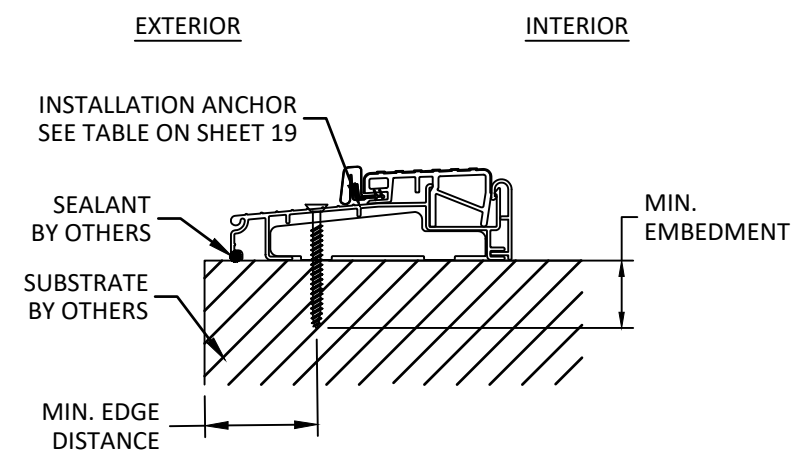
OF 24

c:\Users\julianarodriguez\building_drops, inc\building_drops_projects\odl, inc\bc-25-0439_1 - submittal - odl_fiberglass doors component_additions\dwg\flush_glazed\odl008.dwg 12/10/2025 4:30 PM

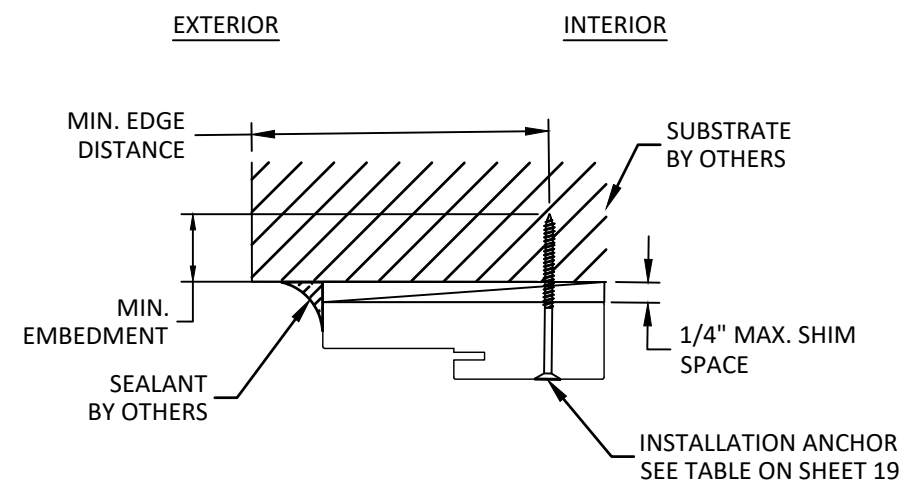


215 EAST ROOSEVELT AVE.
ZEELAND, MICHIGAN 49464

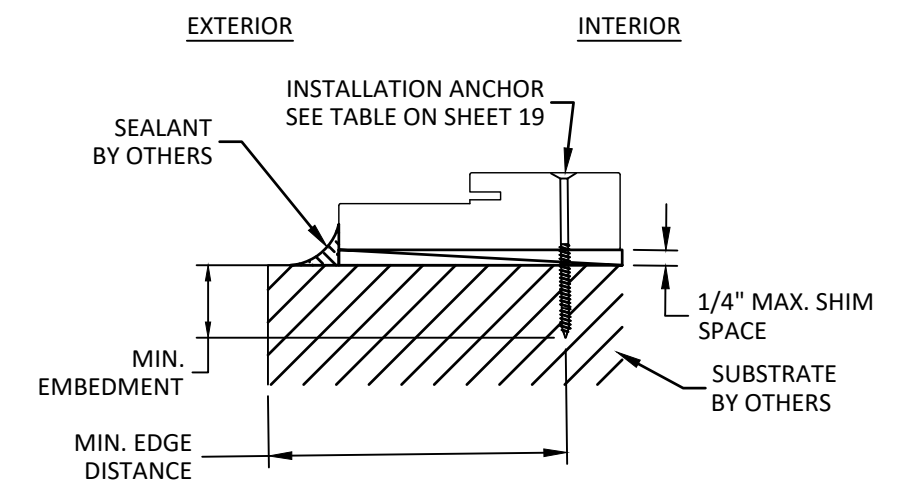
PH: (800) 253-3900



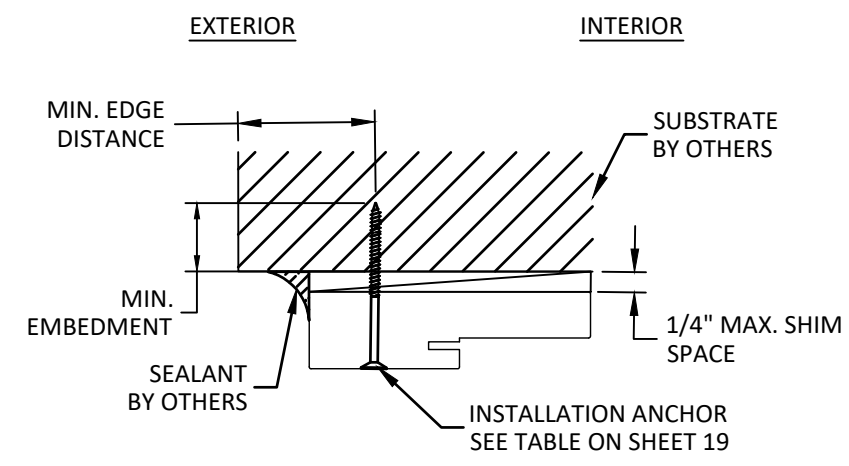
A
22 ANCHOR DETAIL
ENDURA ZOB4565FN SILL



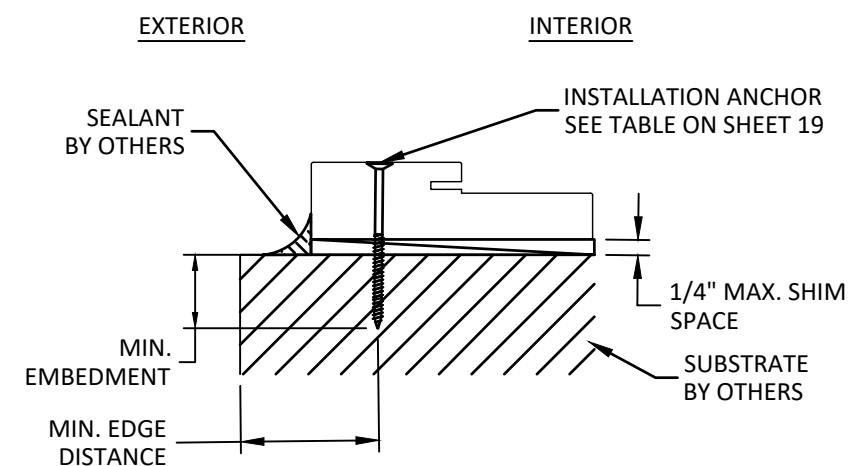
B
22 ANCHOR DETAIL
OUTSWING - DOOR HEAD
JAMB SIMILAR



C
22 ANCHOR DETAIL
OUTSWING - SIDELITE SILL
HEAD AND JAMB SIMILAR



D
22 ANCHOR DETAIL
INSWING - DOOR HEAD
JAMB SIMILAR



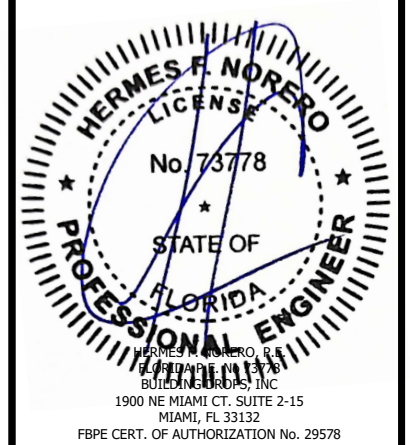
E
22 ANCHOR DETAIL
INSWING - SIDELITE SILL
HEAD AND JAMB SIMILAR

TITLE: INSWING & OUTSWING FLUSH GLAZED FIBERGLASS DOOR (WZ3) (IMPACT)
ANCHOR DETAILS

PREPARED BY: BUILDING DROPS, INC.
1900 NE MIAMI CT., SUITE 2-15
MIAMI, FL 33132
PH: (954) 399-8478
FAX: (954) 744-4738
WEB: www.buildingdrops.com

REMARKS	BY	DATE

THE INSTALLATION DETAILS DESCRIBED HEREIN ARE GENERIC AND MAY NOT REFLECT ACTUAL CONDITIONS FOR A SPECIFIC SITE. IF SITE CONDITIONS CAUSE INSTALLATION TO DEVIATE FROM THE REQUIREMENTS DETAILED HEREIN, A LICENSED ENGINEER OR ARCHITECT SHALL PREPARE SITE SPECIFIC DOCUMENTS FOR USE WITH THIS DOCUMENT.



FL #: **FL47925**

DATE: **12.02.2025**

DWG. BY: JR	CHK. BY: HFN
--------------------	---------------------

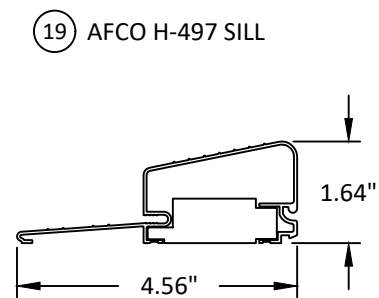
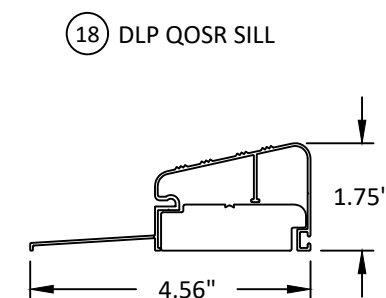
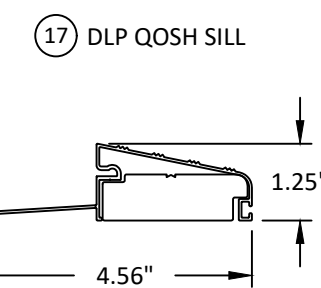
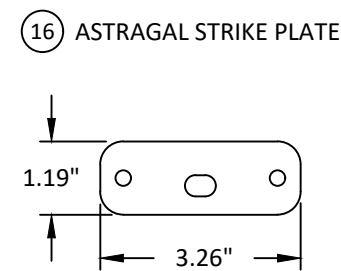
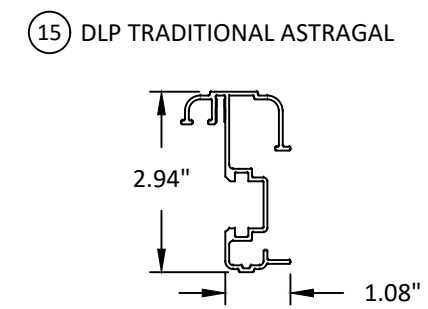
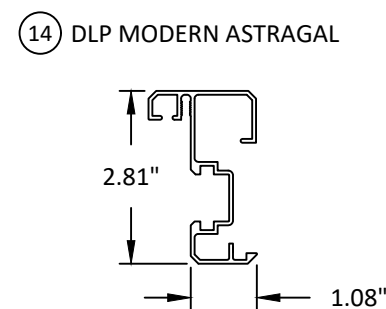
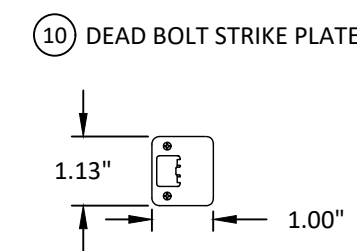
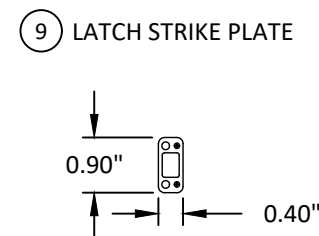
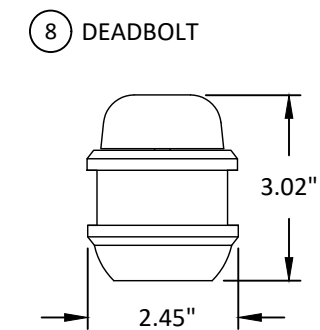
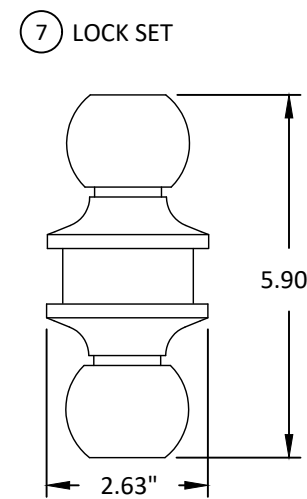
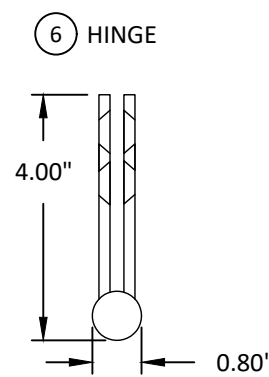
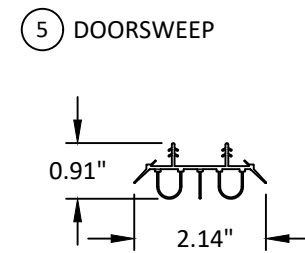
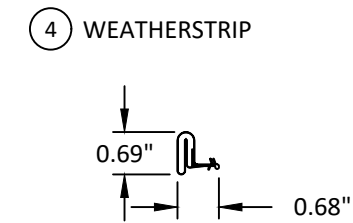
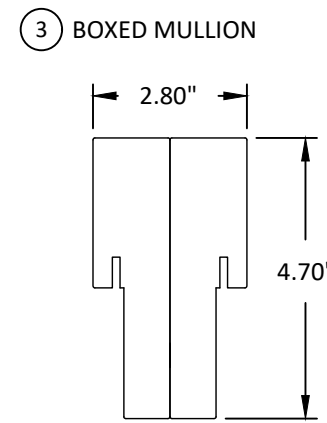
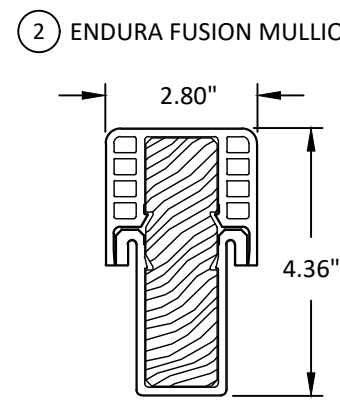
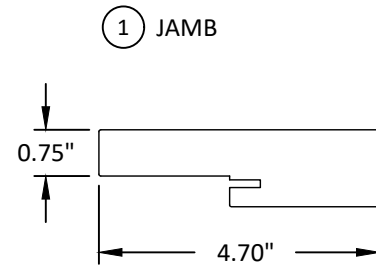
SCALE: **NTS**

DWG. #: **ODL008**

SHEET: **22**
OF 24

c:\users\julianarodriguez\building_drops, inc\building_drops_projects\odl, inc\bc-25-0439_1 - submittal - odl fiberglass doors component additions\dwg\flush_glazed\odl008.dwg 12/10/2025 4:30 PM

BILL OF MATERIALS		
ITEM	DESCRIPTION	MATERIAL
1	JAMB	FINGER JOINT PINE, LVL, OR COMPOSITE
2	ENDURA FUSION MULLION	VARIES
3	BOXED MULLION	FINGER JOINT PINE OR LVL
4	WEATHERSTRIP	FOAM
5	DOOR SWEEP	VINYL
6	HINGE	STEEL
7	LOCK SET	STEEL
8	DEADBOLT	STEEL
9	LATCH STRIKE PLATE	STEEL
10	DEADBOLT STRIKE PLATE	STEEL
11	DOOR PANEL	-
12	SIDELITE PANEL	-
13	FASTENERS	STEEL
14	DLP MODERN ASTRAGAL	ALUMINUM
15	DLP TRADITIONAL ASTRAGAL	ALUMINUM
16	ASTRAGAL STRIKE PLATE	STEEL
17	DLP QOSH SILL	ALUMINUM
18	DLP QOSR SILL	ALUMINUM
19	AFCO H-497 SILL	ALUMINUM
20	DLP ISCS SILL	ALUMINUM
21	DLP ADA ISHC SILL	ALUMINUM
22	DLP DB4565DL SILL	ALUMINUM
23	ENDURA HC15000 ADA SILL	ALUMINUM
24	ENDURA FOB4565 SILL	ALUMINUM
25	ENDURA ZOB4565FN SILL	ALUMINUM
26	AFCO A-117 SILL	ALUMINUM
27	AFCO A-276 SILL	ALUMINUM
28	AFCO A-204 SILL	ALUMINUM
29	AFCO A-204T SILL	ALUMINUM
30	ENDURA ZAILAA4565 SILL	ALUMINUM
31	ENDURA ZOBL4565F SILL	ALUMINUM
32	AFCO SIDELITE BASE	PVC / ALUMINUM
33	ENDURA SIDELITE BASE	PVC / ALUMINUM
34	ENDURA ULTIMATE HURRICANE ASTRAGAL	ALUMINUM
35	ENDURA ULTIMATE PUSH BUTTON ASTRAGAL	ALUMINUM
36	PLASTPRO MULLION	VARIES
37	WOOD PINE MULLION	FINGER JOINT PINE
38	ENDURA FRAME SAVER MULLION	FINGER JOINT PINE



215 EAST ROOSEVELT AVE.
ZEELAND, MICHIGAN 49464

PH: (800) 253-3900

TITLE:
INSWING & OUTSWING FLUSH
GLAZED FIBERGLASS DOOR (WZ3)
(IMPACT)

BILL OF MATERIALS
& COMPONENTS

PREPARED BY:
BUILDING DROPS, INC.

1900 NE MIAMI CT, SUITE 2-15
MIAMI, FL 33132
PH: (954) 399-8478
FAX: (954) 744-4738
WEB: www.buildingdrops.com



REMARKS	BY	DATE

THE INSTALLATION DETAILS DESCRIBED HEREIN ARE GENERIC AND MAY NOT REFLECT ACTUAL CONDITIONS FOR A SPECIFIC SITE. IF SITE CONDITIONS CAUSE INSTALLATION TO DEVIATE FROM THE REQUIREMENTS DETAILED HEREIN, A LICENSED ENGINEER OR ARCHITECT SHALL PREPARE SITE SPECIFIC DOCUMENTS FOR USE WITH THIS DOCUMENT.



FL #:
FL47925

DATE: **12.02.2025**

DWG. BY: **JR** CHK. BY: **HFN**

SCALE: **NTS**

DWG. #: **ODL008**

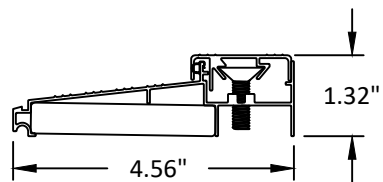
SHEET:

23

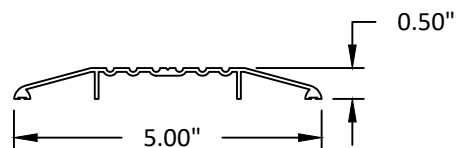
OF 24

c:\Users\julianarodriguez\building_drops, inc\building_drops_landing - documents\common\projects\odi, inc\bc-25-0439_1 - submittal - odi fiberglass doors component additions\dwg\flush_glazed\odi008.dwg 12/10/2025 4:30 PM

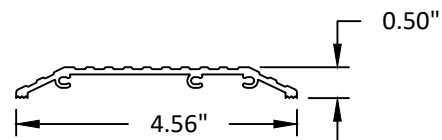
20 DLP ISCS SILL



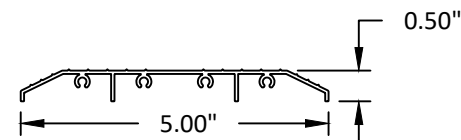
21 DLP ADA ISHC SILL



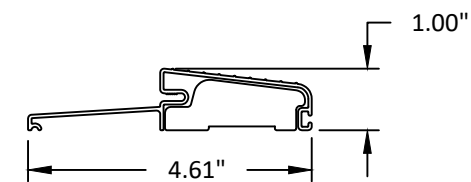
22 DLP DB4565DL SILL



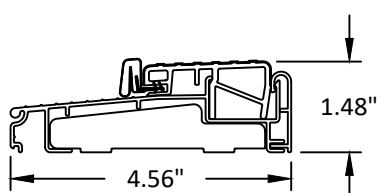
23 ENDURA HC15000 ADA SILL



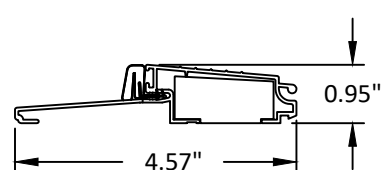
24 ENDURA FOB4565 SILL



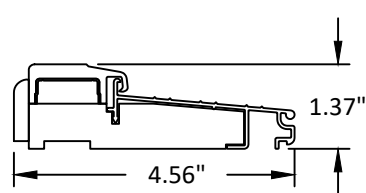
25 ENDURA ZOB4565FN SILL



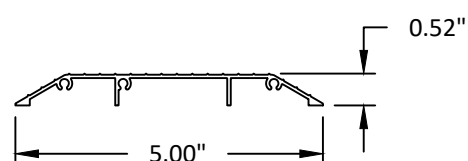
26 AFCO A-117 SILL



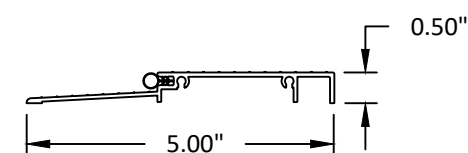
27 AFCO A-276 SILL



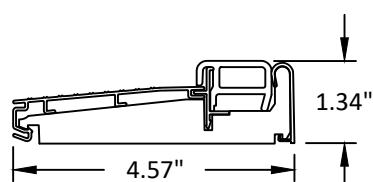
28 AFCO A-204 SILL



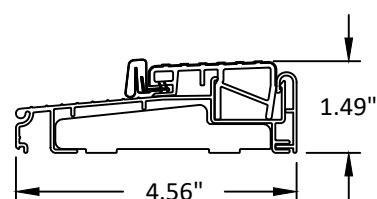
29 AFCO A-204T SILL



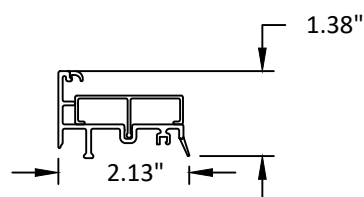
30 ENDURA ZAILAA4565 SILL



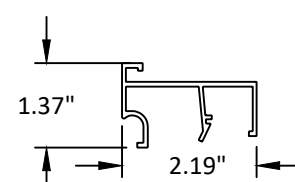
31 ENDURA ZOBL4565 SILL



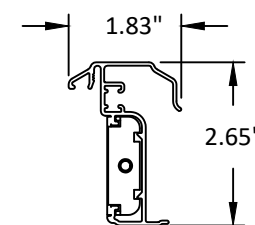
32 AFCO SIDELITE BASE



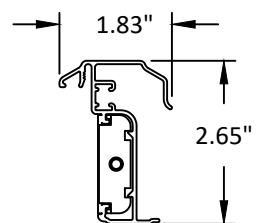
33 ENDURA SIDELITE BASE



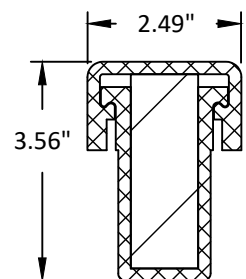
34 ENDURA ULTIMATE HURRICANE ASTRAGAL



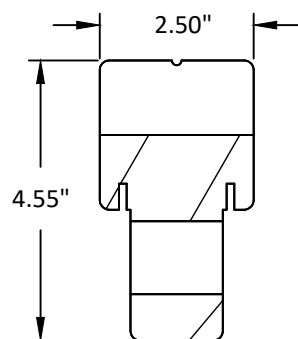
35 ENDURA ULTIMATE PUSH BUTTON ASTRAGAL



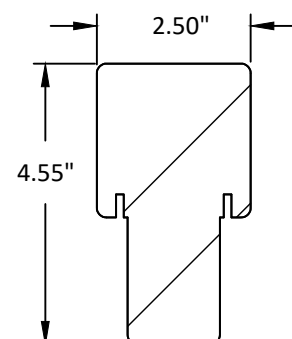
36 PLASTPRO MULLION



37 WOOD PINE MULLION



38 ENDURA FRAME SAVER MULLION



215 EAST ROOSEVELT AVE.
ZEELAND, MICHIGAN 49464

PH: (800) 253-3900

TITLE: INSWING & OUTSWING FLUSH GLAZED FIBERGLASS DOOR (WZ3) (IMPACT)

COMPONENTS

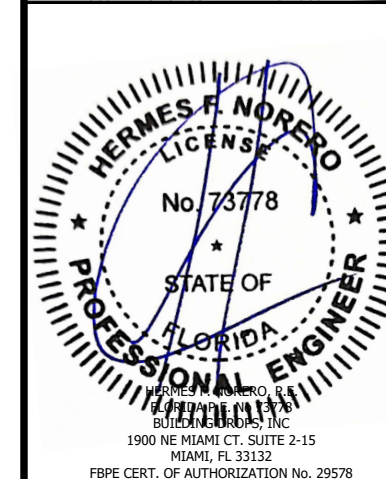
PREPARED BY: BUILDING DROPS, INC.

1900 NE MIAMI CT., SUITE 2-15
MIAMI, FL 33132
PH: (954) 399-8478
FAX: (954) 744-4738
WEB: www.buildingdrops.com



REMARKS	BY	DATE

THE INSTALLATION DETAILS DESCRIBED HEREIN ARE GENERIC AND MAY NOT REFLECT ACTUAL CONDITIONS FOR A SPECIFIC SITE. IF SITE CONDITIONS CAUSE INSTALLATION TO DEVIATE FROM THE REQUIREMENTS DETAILED HEREIN, A LICENSED ENGINEER OR ARCHITECT SHALL PREPARE SITE SPECIFIC DOCUMENTS FOR USE WITH THIS DOCUMENT.



FL #:

FL47925

DATE: 12.02.2025

DWG. BY: JR

CHK. BY: HFN

SCALE: NTS

DWG. #: ODL008

SHEET:

24

OF 24